

BRIGGS MFG, INC.

2286 County Road N
Willows, CA 95988



Estimate

4249

12/16/2024

Customer

JUB Engineers
5010 Neil Rd
Reno, NV 89502

Ship To

Andrew 501-286-3627
Pin Drop to
625 CA-49
Loyalton, CA 96118

Project F.O.B. Contact Phone Number

Description	Quantity	Rate	Unit	Total
Tail Wall with Sloped Walls 36" X 48" C10 5'-8" Plain	1	462.00		462.00
C10 Inserts & Collar for 36" Wide Structures	1	125.00		125.00
Waterman Screwgate C10FB Galvanized Frame 6' X 8"	1	759.75		759.75
8" ADS WT AASHTO	5	8.87		44.35
Freight- Delivered on flat bed customer unloads	1	900.00		900.00
2 week lead time from when ordered				
\$1000 deposit				

(530) 934-2663 concrete@willows.net www.briggsconcrete.com

Subtotal \$2,291.10

Sales Tax (0.0%) \$0.00

Total \$2,291.10

Estimates must be signed for a Sales Order to be created.

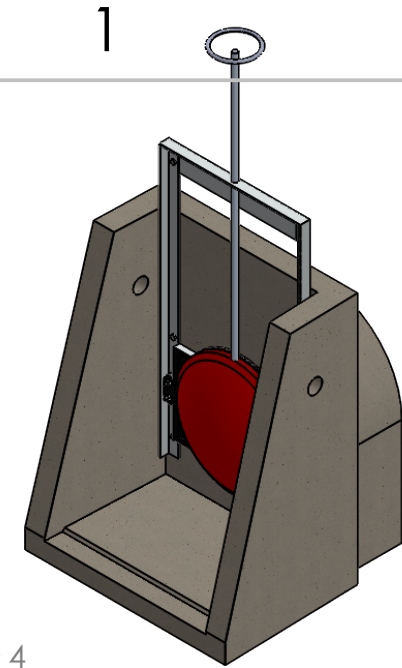
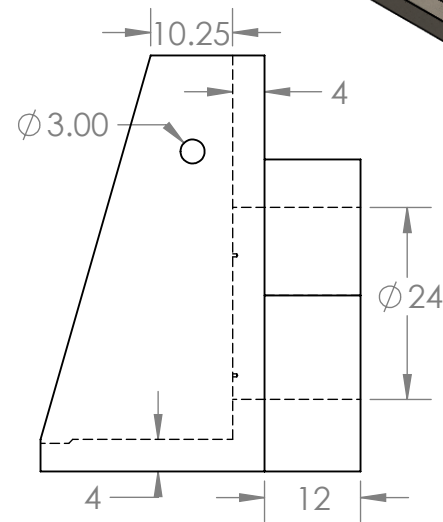
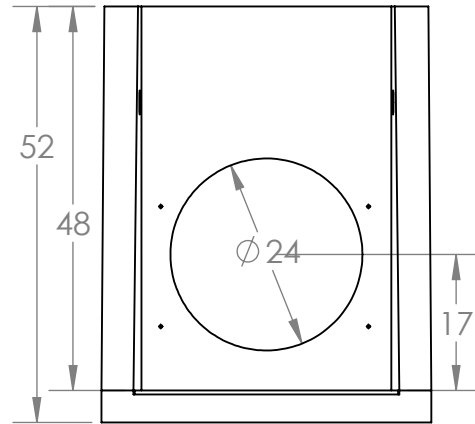
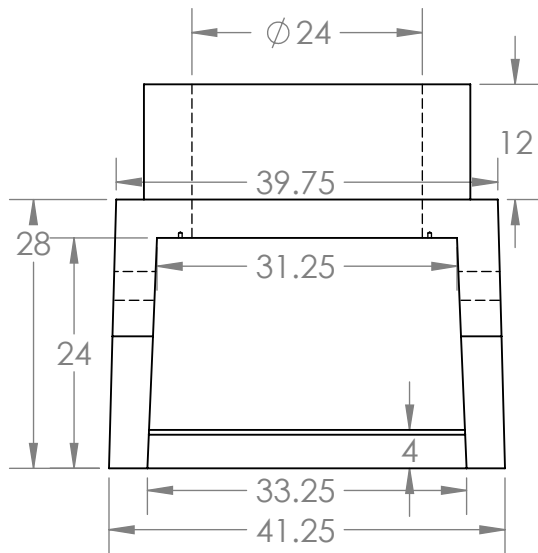
Sales tax rates may change depending on delivery location.

Prices are subject to change.

Signature _____

Accounts are due 30 days from purchase.

B



B

A

A

PROPRIETARY AND CONFIDENTIAL
 THE INFORMATION CONTAINED IN THIS DRAWING IS THE SOLE PROPERTY OF BRIGGS MFG, INC. ANY REPRODUCTION IN PART OR AS A WHOLE WITHOUT THE WRITTEN PERMISSION OF BRIGGS MFG, INC. IS PROHIBITED. 530-934-2663

		UNLESS OTHERWISE SPECIFIED:		NAME	DATE
		DIMENSIONS ARE IN INCHES	DRAWN	Jane F	12/17/18
		TOLERANCES:	CHECKED		
		FRACTIONAL ±	ENG APPR.		
		ANGULAR: MACH ± BEND ±	MFG APPR.		
		TWO PLACE DECIMAL ±	Q.A.		
		THREE PLACE DECIMAL ±	COMMENTS:		
		INTERPRET GEOMETRIC TOLERANCING PER:			
		MATERIAL			
NEXT ASSY	USED ON	FINISH			
APPLICATION		DO NOT SCALE DRAWING			

www.briggsconcrete.com

TITLE:
OUTFALL 3'W X 4' H
C-10 24"

SIZE	DWG. NO.	REV
A	OF34C1024	
SCALE: 1:48 WEIGHT:		SHEET 1 OF 1

2

1