

Q U O T A T I O N

FROM: Isaacs & Associates  
 3380 Isaacs  
 Walla Walla, WA 99362

Phone: 509-529-2286  
 Fax:

Number: Q- 39969  
 Date: 12/30/24  
 Page: 1

QUOTED MCHENRY HAY & CATTLE  
 TO: PO BOX 925  
 LOYALTON CA 96118

DELIVER MCHENRY HAY & CATTLE  
 TO: 116 MAIN STREET  
 LOYALTON CA 96118

TERMS: 10%-10 DAYS; NET 30

QTY	PRODUCT CODE	PRODUCT DESCRIPTION	UNIT PRICE	EXTENSION
1.00	XF	SAND SEPARATOR R60LA HF POWDER COATED FINISH	8577.2900	8577.29
1.00	XF	AUTO FLUSH CONTROL. & VALVE	834.0600	834.06
		<b>AFTER 10% PAYMENT DISCOUNT AMOUNTS</b>		
		<b>SAND SEPARATOR</b>	<b>\$7,719.56</b>	
		<b>AUTO FLUSH</b>	<b>\$ 750.65</b>	
		<b>SUB TOTAL</b>	<b>\$8,470.21</b>	
		<b>S/H</b>	<b>\$ 675.00</b>	
		<b>TOTAL</b>	<b>\$9,145.21</b>	
			<b>QUOTATION TOTAL:</b>	<b>\$10,161.35</b>

Shipping info: Shipment is approximately 550# 120"long x 24"wide, x 24"high  
 6" flanged inlet and outlet

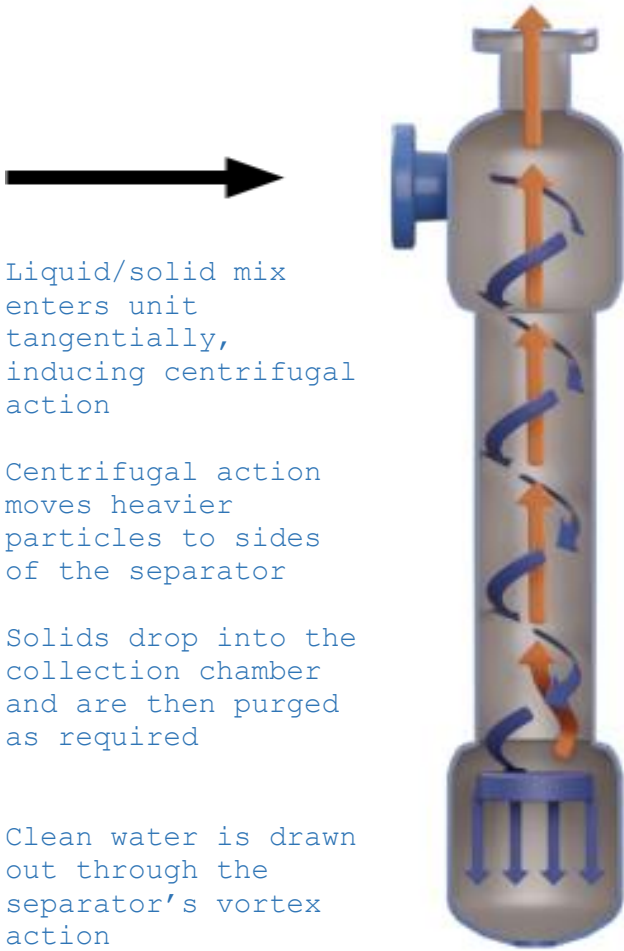
Outlet is on the top end of the body  
 seen in this picture

Inlet is on side facing forward  
 seen in this picture



Lenth 106"  
 Height 60"  
 Diameter on bell ends 16"  
 Diameter of center pipe 11"

PRESSURE DROP AT 700 GPM is  
 approximately 8 psi



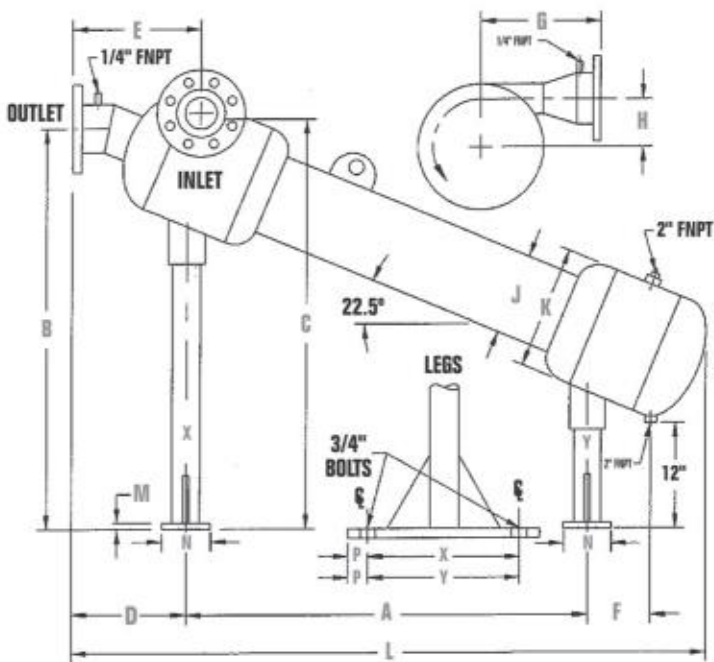
Liquid/solid mix enters unit tangentially, inducing centrifugal action

Centrifugal action moves heavier particles to sides of the separator

Solids drop into the collection chamber and are then purged as required

Clean water is drawn out through the separator's vortex action

Separators are ideal for removal of suspended solids and inorganic materials with a specific gravity of 2 or greater. This highly effective system will provide consistent, simple removal of inorganic material down to 75 microns. Easily installed, these carbon steel units are rated to 150 psi with threaded or flanged inlet/outlet connections. Smaller models are designed for vertical installation while larger models are angled and floor or ground mounted. Sizing must be within the specified flow range for proper centrifugal action



DEM	INCHES
A	63
B	59.5
C	58.75
D	20.5
E	20.75
F	10.5
G	22
H	5.25
J	10.75
K	16
L	106.25
M	.25
N	5
P	1
X	30
Y	14